

Service  
Service  
Service



# Service Manual

GB

Safety regulations require that the set be restored to its original condition and that parts which are identical with those specified be used.

NL

Veiligheidsbepalingen vereisen, dat het apparaat in zijn oorspronkelijke toestand wordt teruggebracht en dat onderdelen, identiek aan de gespecificeerde, worden toegepast.

D

Bei jeder Reparatur sind die geltenden Sicherheitsvorschriften zu beachten. Der Originalzustand des Geräts darf nicht verändert werden; für Reparaturen sind Original-Ersatzteile zu verwenden.

I

Le norme di sicurezza esigono che l'apparecchio venga rimesso nelle condizioni originali e che siano utilizzati i pezzi di ricambio identici a quelli specificati.

F

Les normes de sécurité exigent que l'appareil soit remis à l'état d'origine et que soient utilisées les pièces de rechange identiques à celles spécifiées.

Documentation Technique Service Dokumentation Documentazione di Servizio Huolto-Ohje Manual de Servicio



"Pour votre sécurité, ces documents doivent être utilisés par des spécialistes agréés, seuls habilités à réparer votre appareil en panne".

GB

NL

Subject to modification

4822 725 22791

F

D

I

Printed in The Netherlands

© Copyright reserved

**PHILIPS**

Published by  
Consumer Electronics

CS 29 273

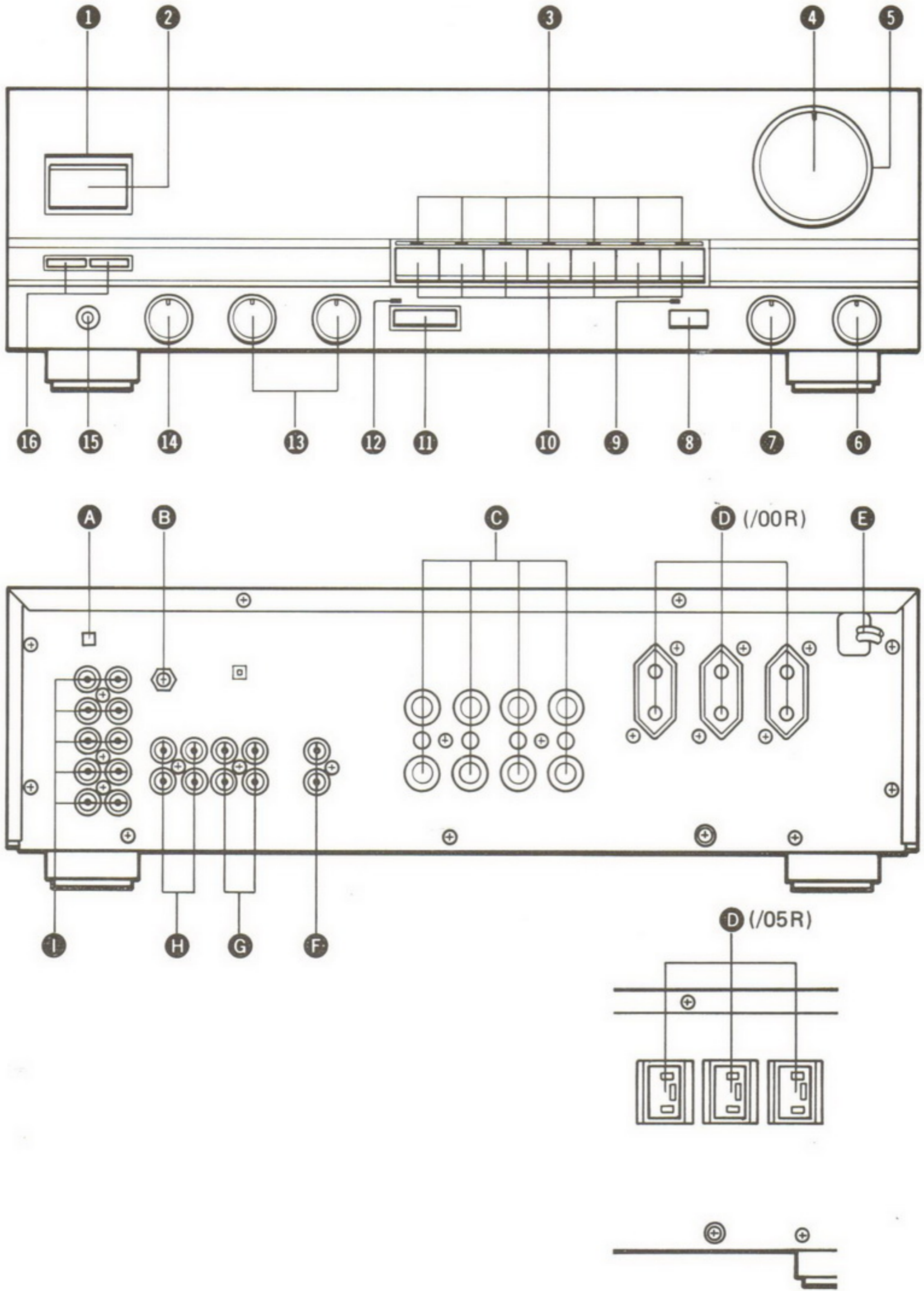
## SPECIFICATION

### General

	Nominal value	Typical value
Mains voltage	: 220V ~ (/00R) : 240V ~ (/05R)	: 220V ~ (/00R) : 240V ~ (/05R)
Mains frequency	: 50 – 60 Hz	: 50 – 60 Hz
Power consumption	: 340W	: 340W
Dimensions (WxHxD)	: 420 x 118 x 334 mm	: 420 x 118 x 334 mm
Weight	: 9.2 kg	: 9.2 kg

### Amplifier

	Nominal value	Typical value	
Output power	: 80W in 8Ω (IEC)	: 85W in 8Ω (IEC)	
Distortion			
T.H.D.	: ≤ 0.03% at 1 kHz : ≤ 0.03% at 63 Hz – 12.5 kHz } (IEC) : ≤ 0.03% at 60/7000 Hz 4:1	: ≤ 0.002% at 1 kHz : ≤ 0.01% at 63 Hz – 12.5 kHz } (IEC) : ≤ 0.006% at 60/7000 Hz 4:1	
Intermodulation			
Frequency characteristic			
Phono input	tone control neutral	: from 20 Hz – 20 kHz ±1 dB (IEC/RIAA) : from 10 Hz – 50 kHz ±1 dB : at 100 Hz +10 dB to –10 dB ±1 dB : at 10 kHz +10 dB to –10 dB ±1 dB : at 100 Hz +6 dB ±1 dB : at 10 kHz +4 dB ±1 dB } Tap position	
Other inputs			
Bass control			
Treble control			
Loudness			
Phono input	: from 20 Hz – 20 kHz ±0.5 dB (IEC/RIAA) : from 10 Hz – 60 kHz ±1 dB : at 100 Hz +10 dB to –10 dB : at 10 kHz +10 dB to –10 dB : at 100 Hz +6 dB } Tap position : at 10 kHz +4 dB } Tap position	: from 20 Hz – 20 kHz ±0.5 dB (IEC/RIAA) : from 10 Hz – 60 kHz ±1 dB : at 100 Hz +10 dB to –10 dB : at 10 kHz +10 dB to –10 dB : at 100 Hz +6 dB } Tap position : at 10 kHz +4 dB } Tap position	
Signal/noise ratio			
weighted (A-curve)			
Phono input	(MM) (MC)	: for 80W output ≥ 80 dB (IEC) : for 80W output ≥ 70 dB (IEC) : for 80W output ≥ 85 dB (IEC)	: for 80W output ≥ 83 dB (IEC) : for 80W output ≥ 72 dB (IEC) : for 80W output ≥ 89 dB (IEC)
Other inputs		: at 1000 Hz ≥ 57 dB : at 250 Hz – 10 kHz ≥ 45 dB	: at 1000 Hz ≥ 60 dB : at 250 Hz – 10 kHz ≥ 50 dB
Channel separation			
Input sensitivity/Input impedance			
Audio			
Phono	(MM) (MC)	: 2.5 mV/47 kΩ : 250 μV/100Ω	: 2.5 mV/47 kΩ : 250 μV/100Ω
Tuner/CD/Aux/Tape		: 150 mV/17 kΩ	: 150 mV/22 kΩ
TV/Video		: 150 mV/17 kΩ	: 150 mV/22 kΩ
Output level/Output impedance			
Tape		: 280 mV/450Ω (Phono 5 mV 1 kHz input)	: 280 mV/450Ω (Phono 5 mV 1 kHz input)

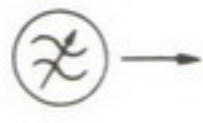







**CONNECTIONS AND CONTROLS**

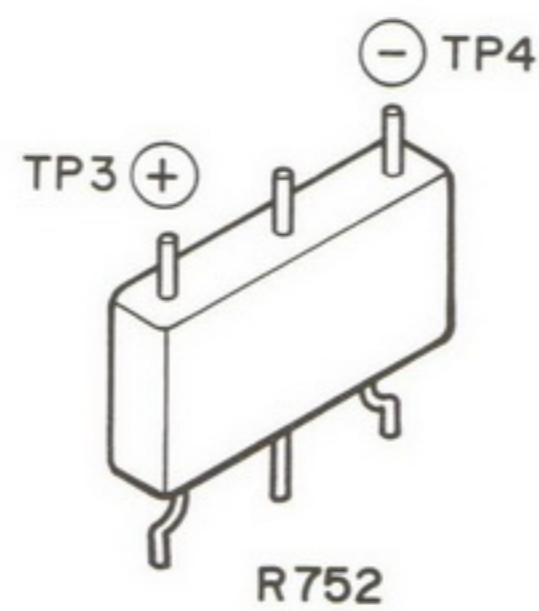
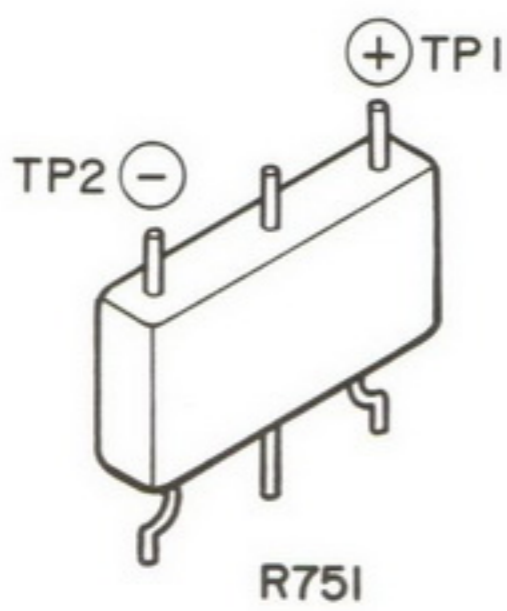
1	Mains indicator	VZ01	A	Phono selector switch	S401
2	Mains switch	S901	B	Ground terminal	J031
3	Function indicator	DU01÷DU05	C	LS outlet	J704, J705
		DU08, DU09	D	AC outlet	(/00R) J951, J952, J953
4	Volume control	RG01			(/05R) J021, J022, J023
5	Volume illumination	VZ51, VZ52	E	Mains cord	W001
6	Balance control	RG55	F	Remote in/out	JJ03
7	Loudness switch	SG51	G	DAT/tape 2 play/rec.	JJ02
8	IR sensor	QU07	H	Tape 1 play/rec.	JJ01
9	Stand-by indicator	DU06	I	Input	JV01, JV02
10	Function switch	SU01÷SU07			
11	Source direct switch	SU08			
12	Source direct indicator	DU07			
13	Tone control	RE21, RE22			
14	Rec selector switch	SE01			
15	Headphone socket	JW51			
16	LS switch	SW01			

ADJUSTMENT

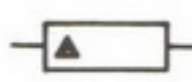
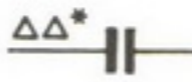
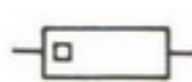


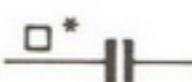

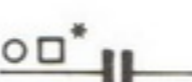







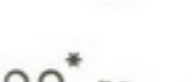

Idling Current

SK... SWITCH	 SIGNAL	 TO	 VOLUME	 ADJUST	 OSCILLOSCOPE	 D.C. METER INDICATOR
			Min.	Lch R733		Lch TP2(-), TP1(+) DC 10 mV (27.7 mA)
				Rch R734		Rch TP4(-), TP3(+) DC 10 mV (27.7 mA)

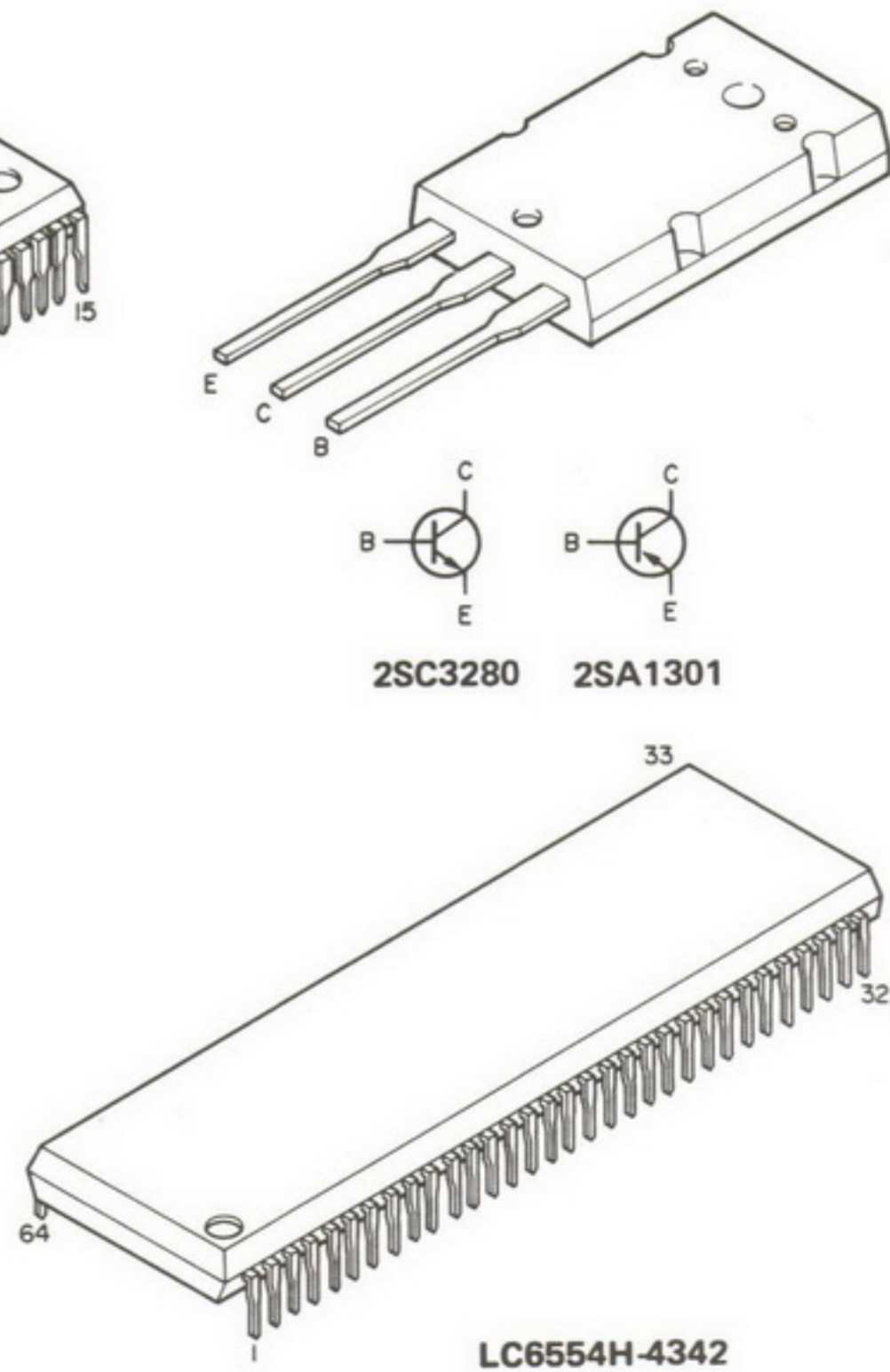
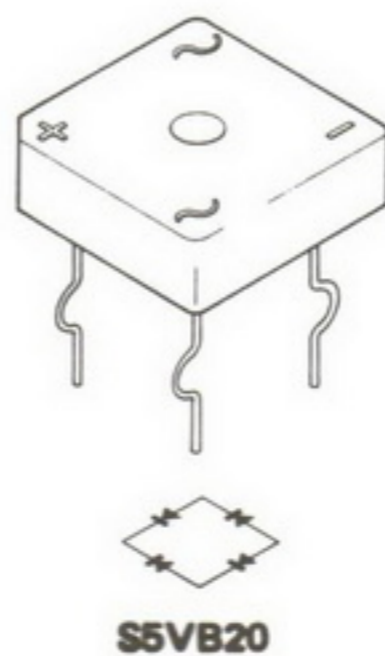
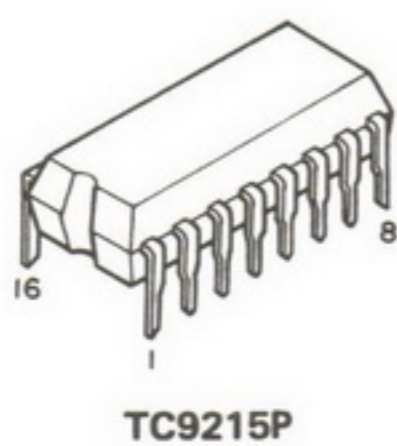
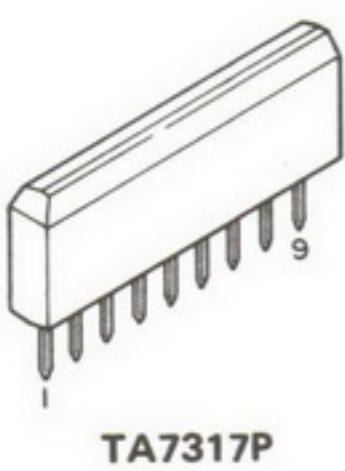
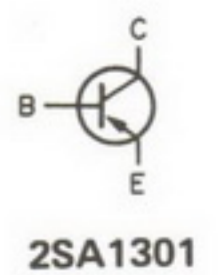
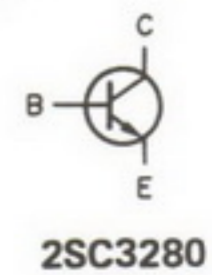
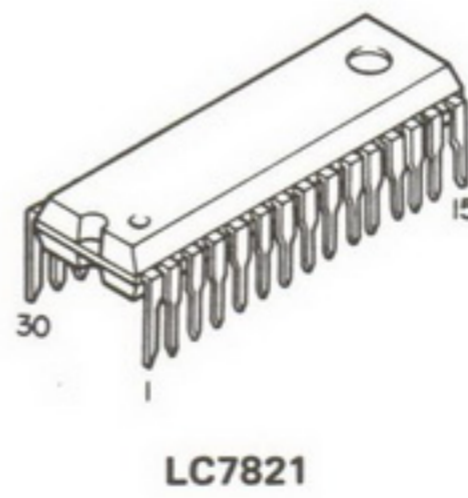
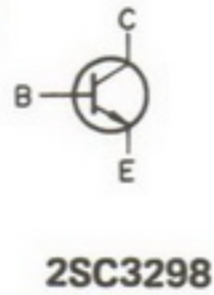
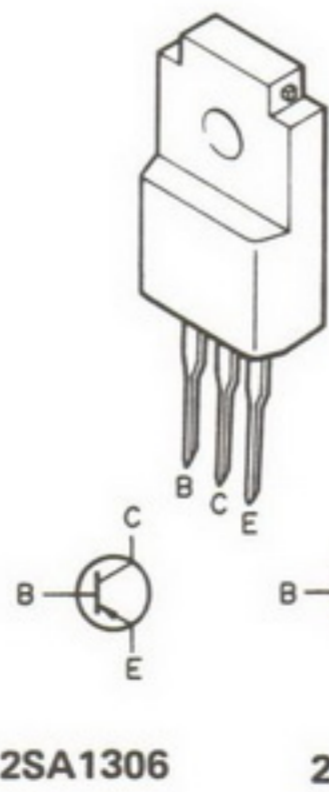
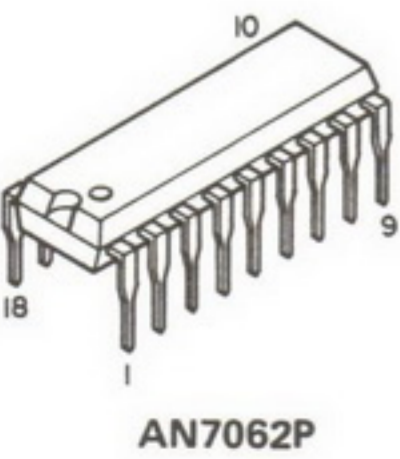
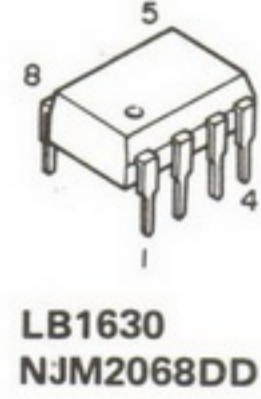
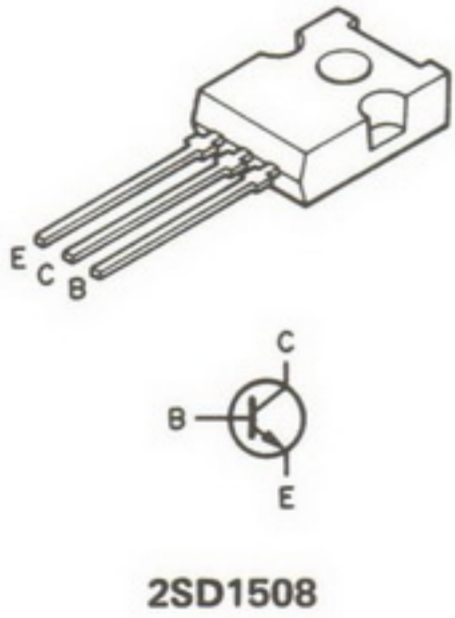
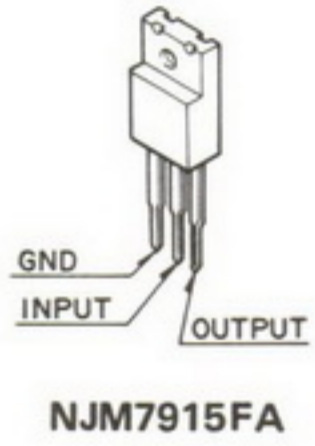
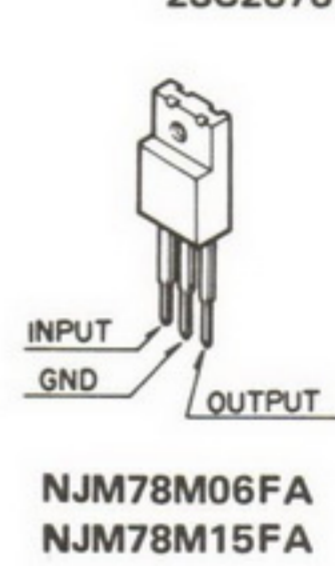
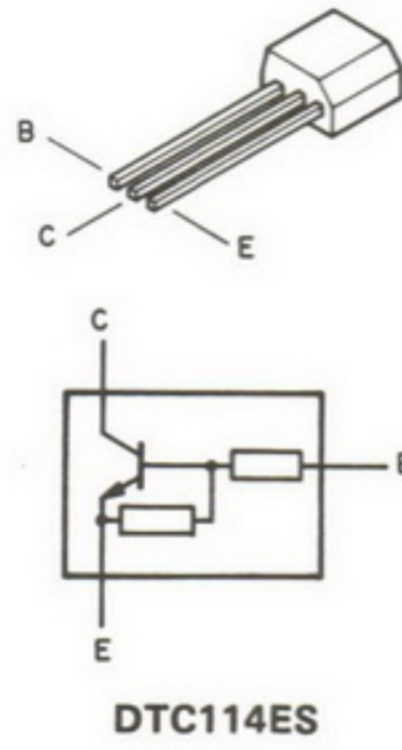
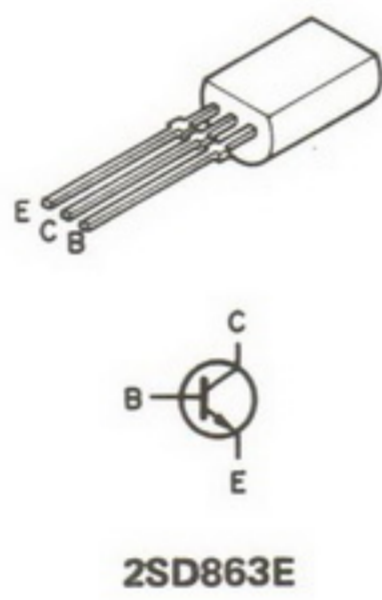
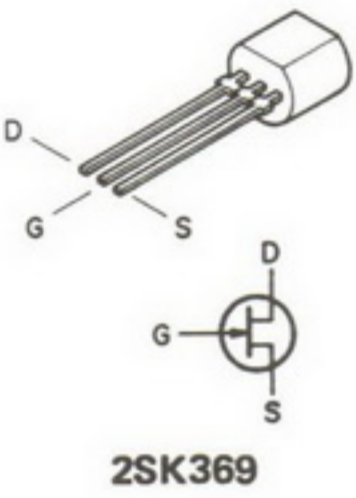
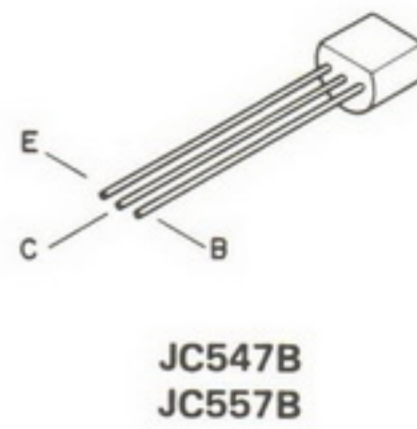
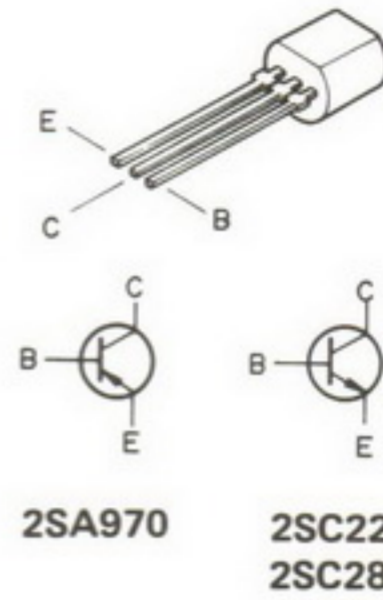
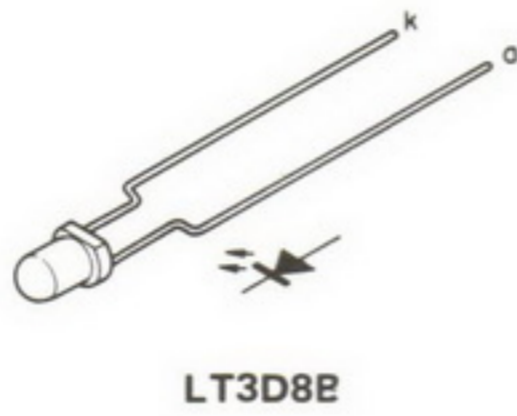
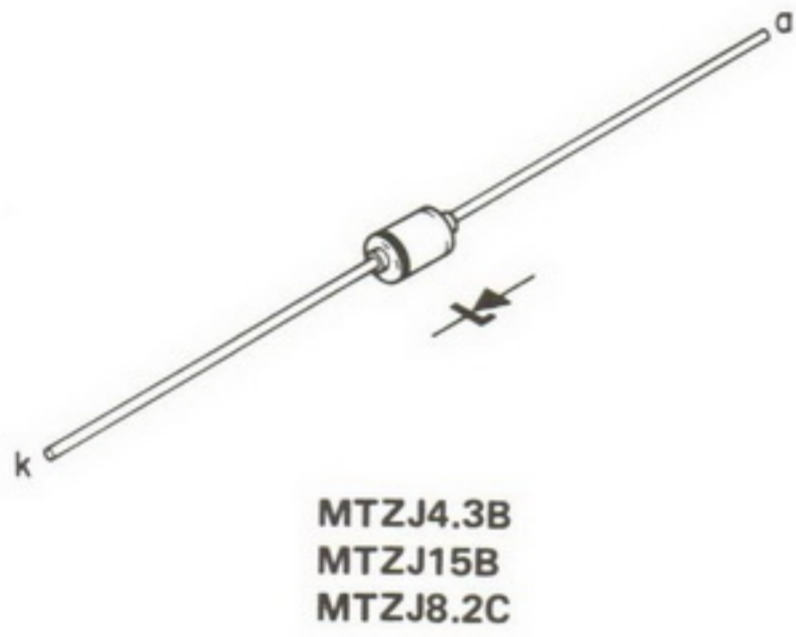
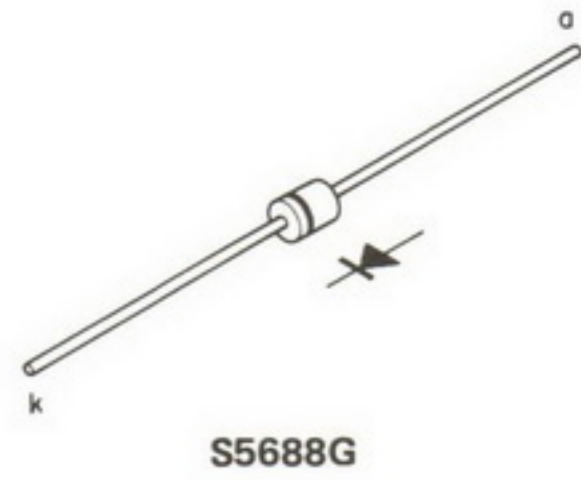
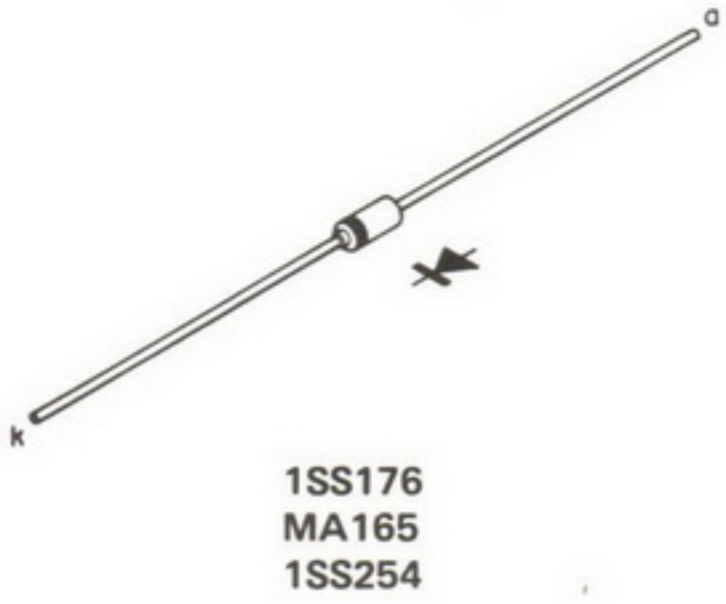
Polarity of the test points (R751, R752)



\*See WIRING DIAGRAM (P701)

	Carbon film 0.125 W or 0.2 W	70°C	5%		Ceramic plate Tuning ≤ 120 pF NP.0 Others	2% -20/+80%	*a = 2.5 V b = 3.15 V or 4 V c = 6.3 V d = 10 V e = 16 V f = 25 V g = 40 V h = 63 V j = 100 V l = 125 V m = 150 V n = 160 V q = 200 V r = 250 V s = 300 V t = 350 V u = 400 V v = 500 V w = 630 V x = 1000 V A = 1.6 V B = 6 V C = 12 V D = 15 V E = 20 V F = 35 V G = 50 V H = 75 V I = 80 V
	Carbon film 0.25 W or 0.33 W	70°C	5%		Polyester flat foil	10%	
	Metal film 0.25 W or 0.33 W	70°C	5%		Metalized polyester flat film	10%	
	Carbon film 0.5 W	70°C	5%		Polyester flat foil small size (Mylar)	10%	
	Carbon film 0.67 W	70°C	5%		Polystyrene film/foil	1%	
	Carbon film 1 W or 1.15 W	70°C	5%		Tubular ceramic		
					Miniature single		
					Subminiature tantalum	± 20%	
	Chip component						

Semiconductor Layout

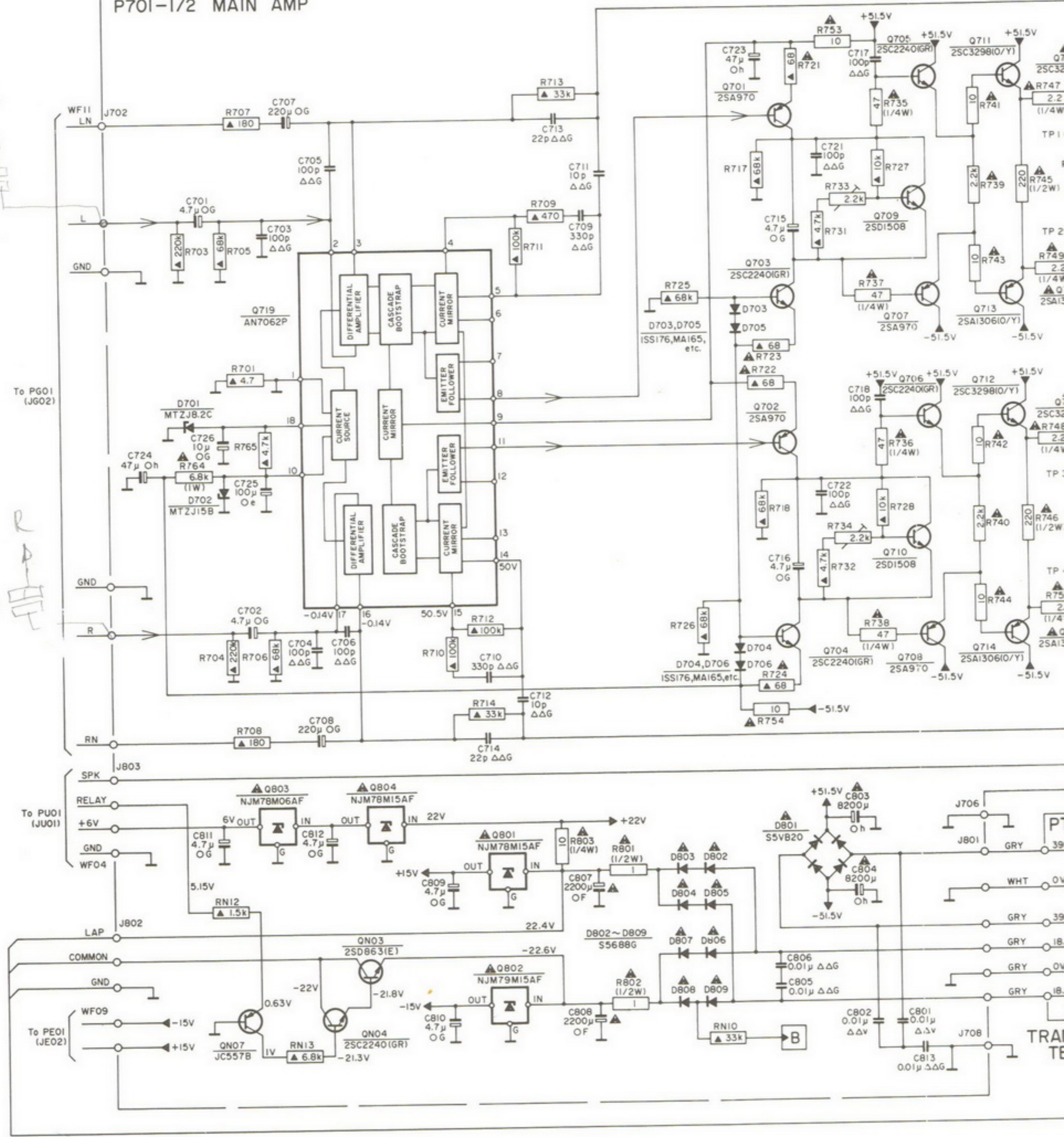


R	R703~R708	R711 R709 R713	R725	R717 R721~R724 R753	R735~R738	R739~R744	R745
	R764 R701 R765	R710 R712 R714	R726	R718	R731~R734		
C	RN12 RN13	R803 R801 R802	RN10 R754	C723 C715 C716 C721 C722 C717 C718			
	C724~C726 C701~C708	C710 C712 C713 C711 C709		C806 C805 C801~C804 C813			
Q	Q719 Q803	Q804	Q801	Q701~Q704	Q705~Q710	Q711~Q714	Q715
	QN07	QN04 QN03	Q802				
D	D701 D702			D802~D809	D703~D706 D801		
F-L							
S-V							

### P701-1/2 MAIN AMP

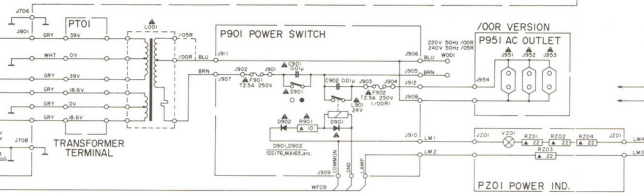
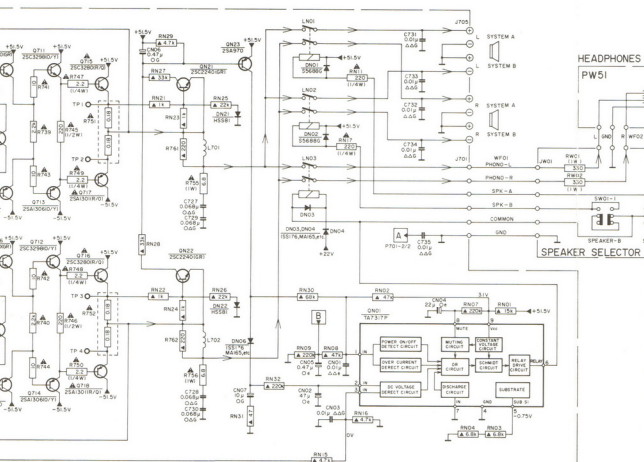
low F

low F



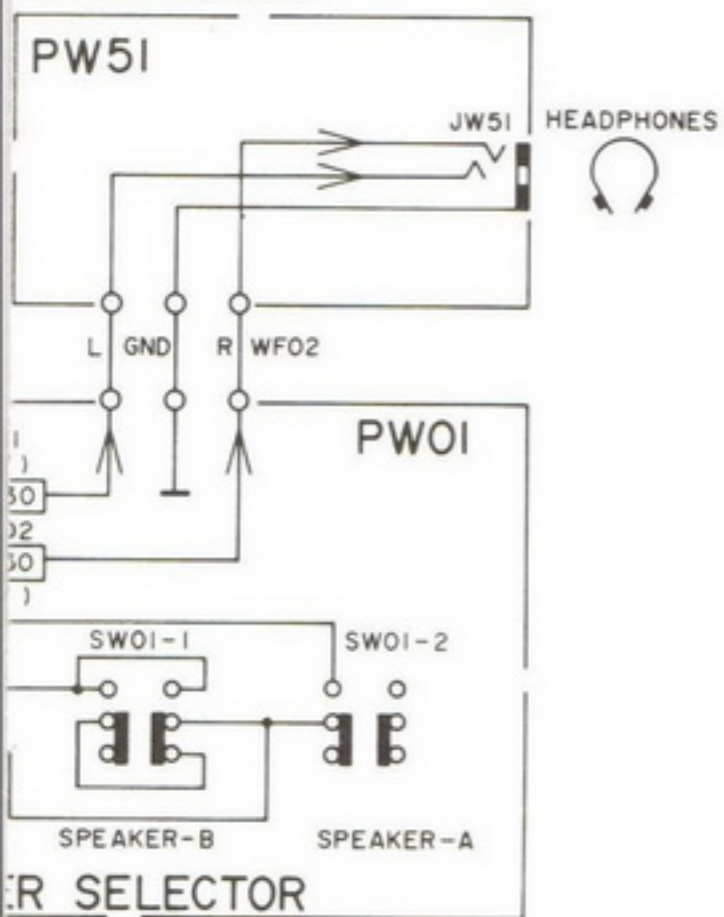
# SCHEMATIC DIAGRAM

R738	R739 ~ R744	R745 ~ R752	RN27 ~ RN29	RN25	RN17	RN11	RWD
	RN21 ~ RN24	R755	RN26	RN30	RN09	RN08	RW02
		R761 R762 R756	RN31	RN32	RN01	RN15	RN16
		R767 ~ C730	CN07	CN05	CN01 ~ CN03	C731 ~ C735	CN04
13	Q711 ~ Q714	Q715 ~ Q718	ON22	ON21	ON23	ON01	
			LN01	LN02	LN03	LN04	LN01 ~ LN04
			LN01	LN02	LN03	LN04	LN01 ~ LN03
							L901
							F901
							S901
							VZ01
							SW01



			R
	RZ51 ~ RZ53		C
			Q
			D
			F-L
SW01	VZ51	VZ52	S-V

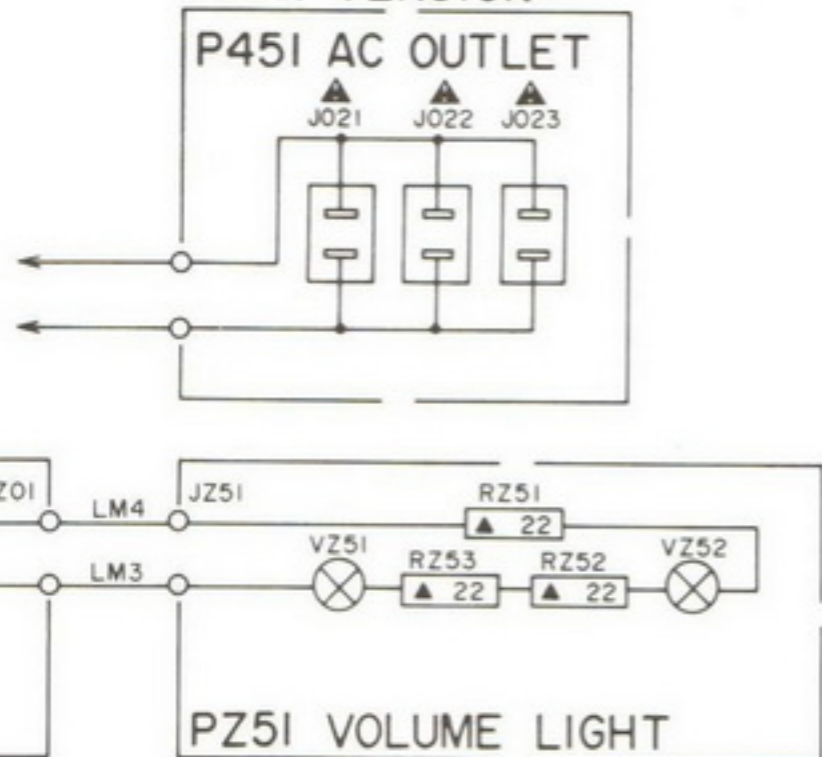
HEADPHONES



NOTE ON SAFETY:

Symbol ▲ Fire or electrical shock hazard. Only original parts should be used to replace any part marked with symbol ▲. Any other component substitution (other than original type), may increase risk of fire or electrical shock hazard.

/05R VERSION

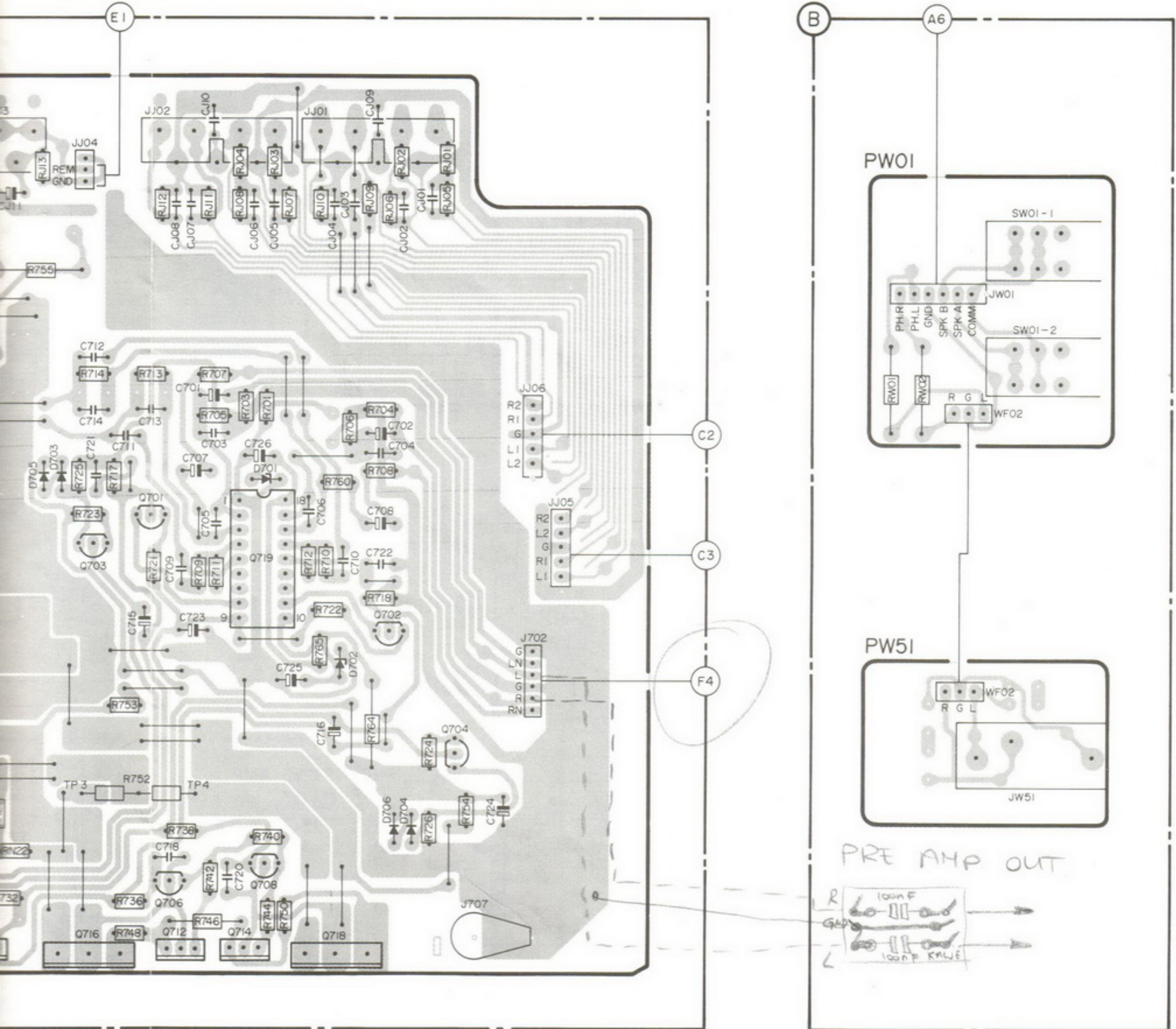




# WIRING DIAGRAM

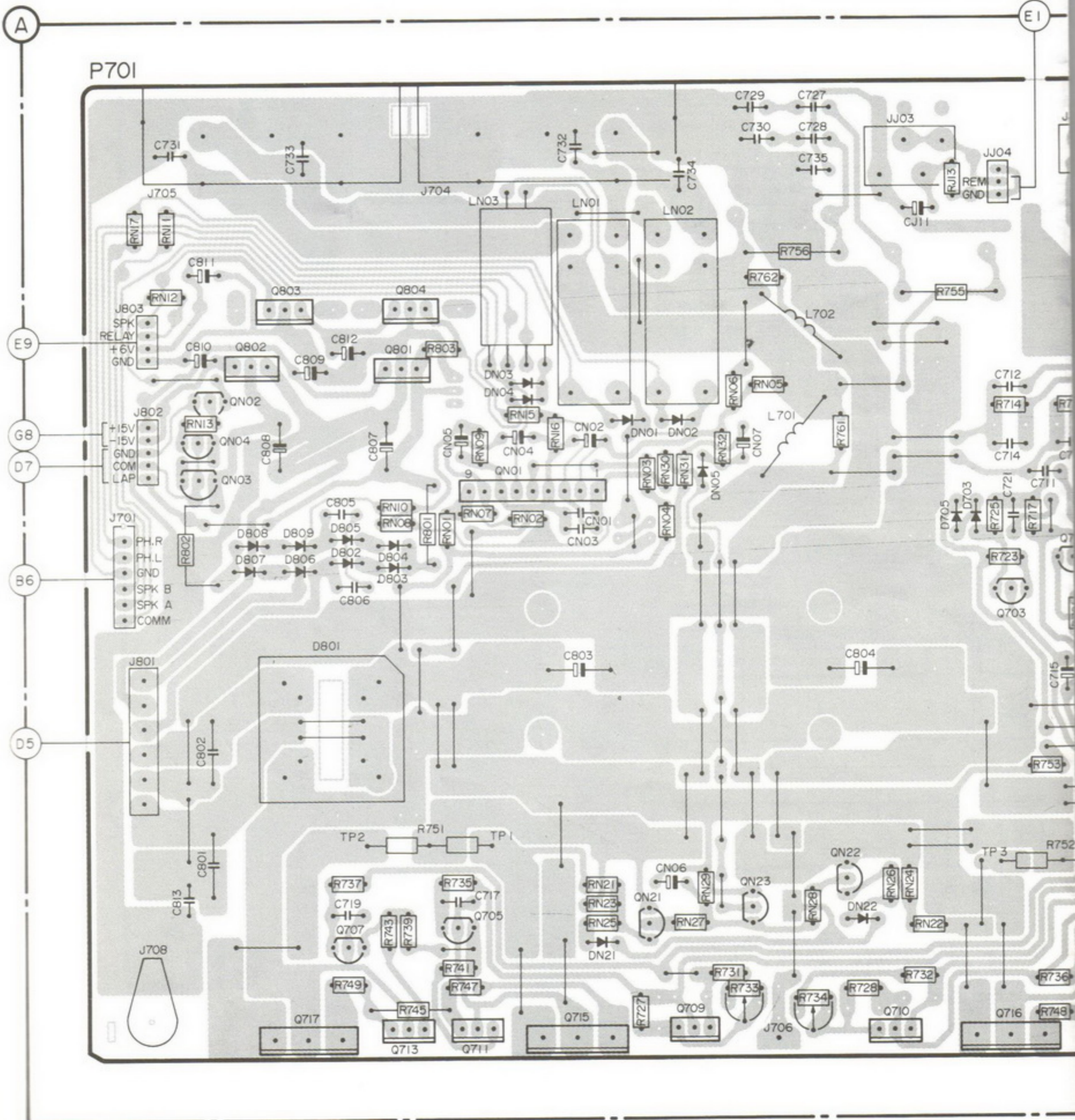
R755 RJ13	RJ12	RJ11 RJ04 RJ08 RJ03 RJ07 RJ10 RJ09 RJ06 RJ02 RJ01 RJ05	
R725 R714 R723 R717 R713 R701 R703~R708 R721 R709~R712 R722 R764 R760 R765 R718			RW01 RW02
R728 RN26 RN24 R732 RN22 R753 R752 R736 R748 R738 R746 R742 R740 R744 R750 R724 R726 R754			
CJ11	CJ08 CJ07 CJ10 CJ06 CJ05	CJ04 CJ03 CJ09 CJ02 CJ01	
C721 C711~C714 C701~C704 C705~C710 C726	C722		C
C715 C718 C723	C720	C725 C716	C724
Q703	Q701	Q719	Q702 Q704
Q716	Q706 Q712 Q714 Q708	Q718	
D705 D703	D701	D702 D706 D704	D
			SW01
			L-S

## FRONT SIDE VIEW

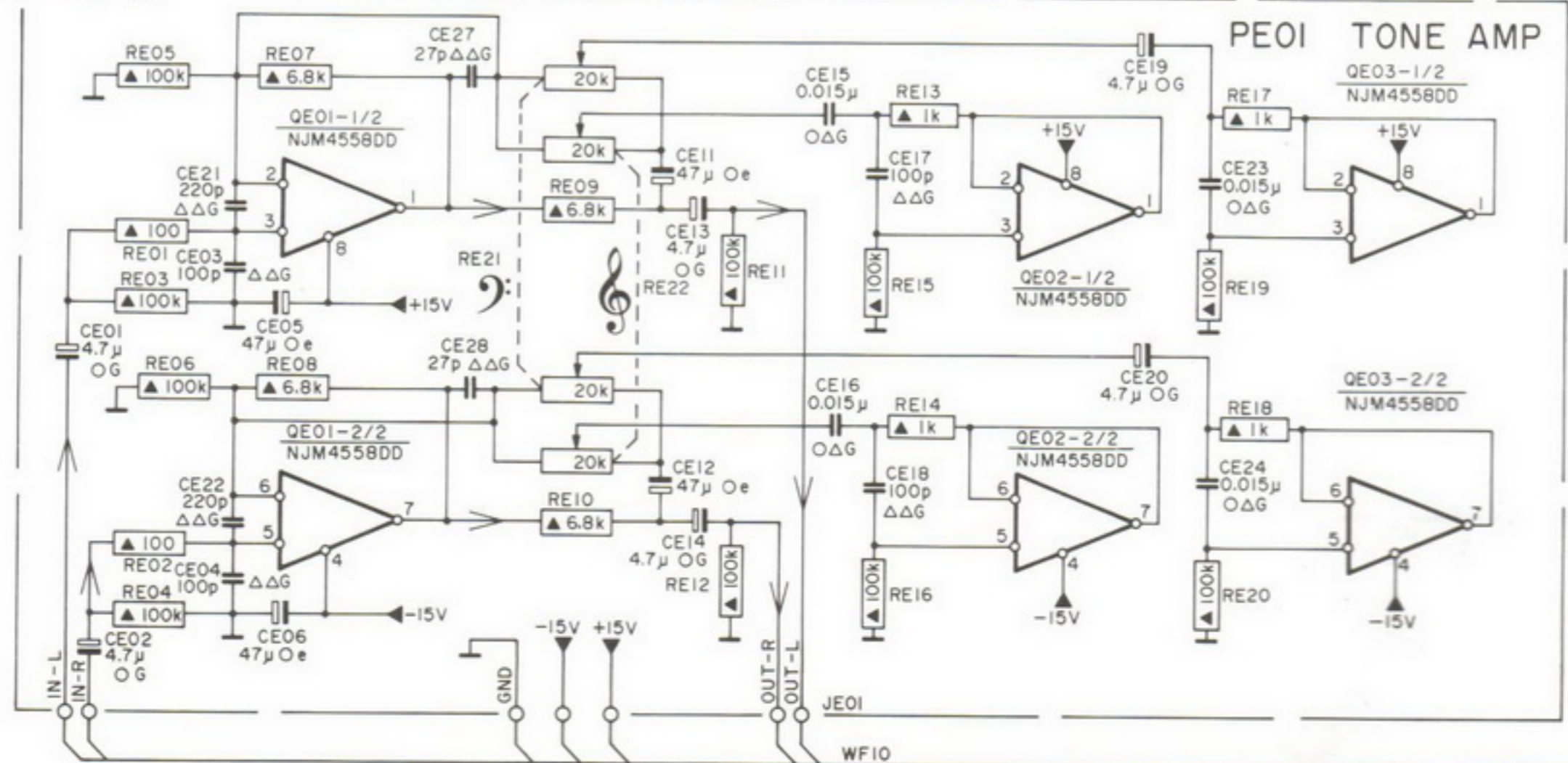
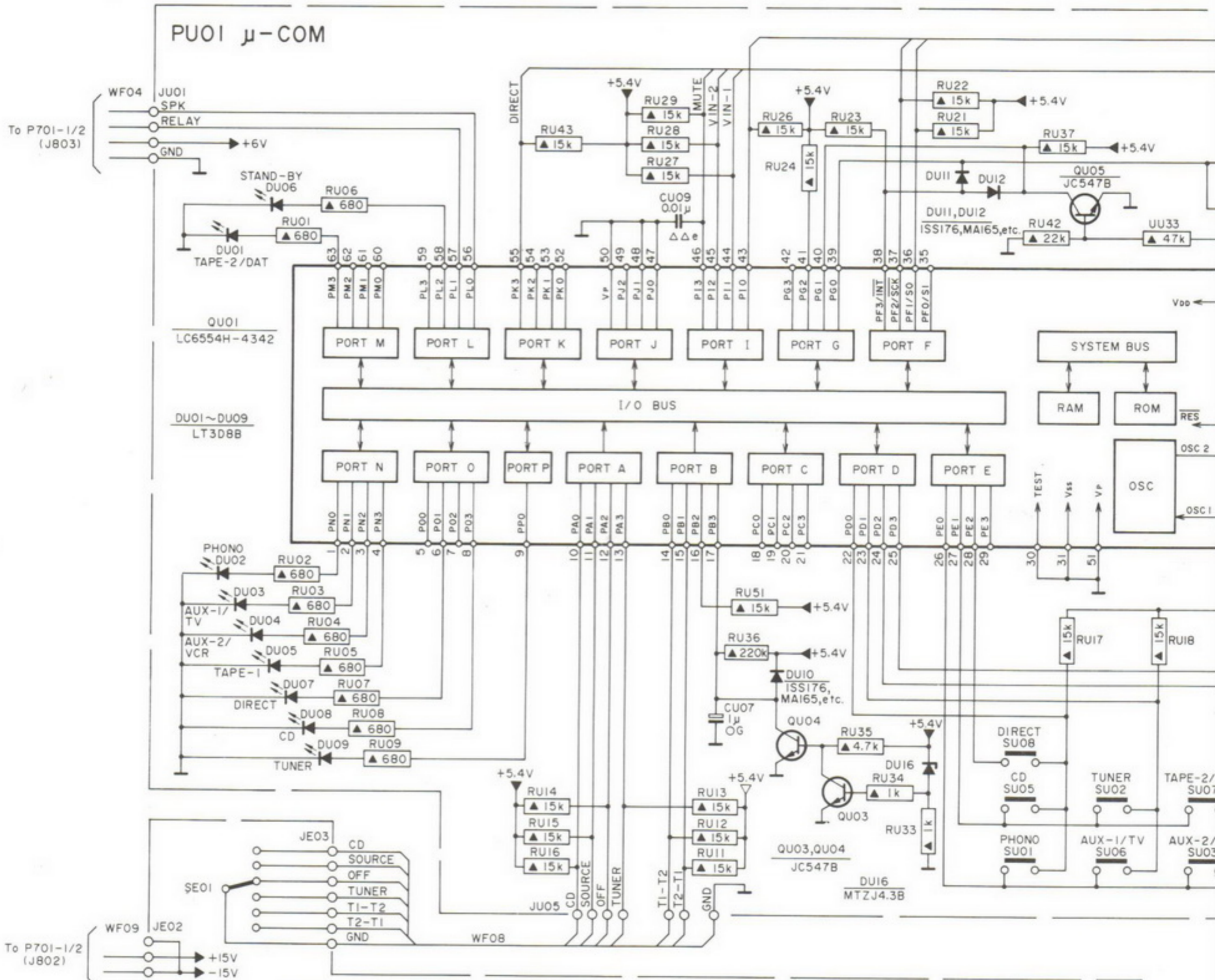


R	RNI7 RNI1 RNI2	R803 RN09 RNI5 RNI6	RN03 RN30~RN32 RN06 R762 RN05 R756 R761	R755 RJ13	RJ12
	RNI3	RNI0 RN08 R801 RNO1 RNO7 RNO2	RNO4	R725 R714 R723	
	R802	R737 R749 R743 R739 R745 R751 R735 R741 R747	RN21 RN23 RN25 R727 RN27 RN29 R731 R733 R734 RN28 R728 RN26 RN24 R732 RN22		
C	C731 C810 C811	C733 C809 C812	C732	C734 C729 C730 C727 C728 C735	CJ11
	C808	C805~C807	CN01~CN05 C803	CN07	C804
	C813 C802 C801	C719	C717	CN06	C721 C711~C714
	C731	C733	C732	C734	C729 C730 C727 C728 C735
Q	QN02~QN04 Q801~Q804	QN01	Q703 Q707		
	Q717 Q707 Q713	Q711 Q705	Q715	QN21 Q709	QN23
	Q717 Q707 Q713	Q711 Q705	Q715	QN21 Q709	QN23
D	D801~D809	DNO3 DNO4	DN21 DNO1	DNO2 DNO5	DN22
	D801~D809	DNO3 DNO4	DN21 DNO1	DNO2 DNO5	DN22
L-S		LN03	LN01	LN02	L701 L702

COMPONENT SIDE VIEW

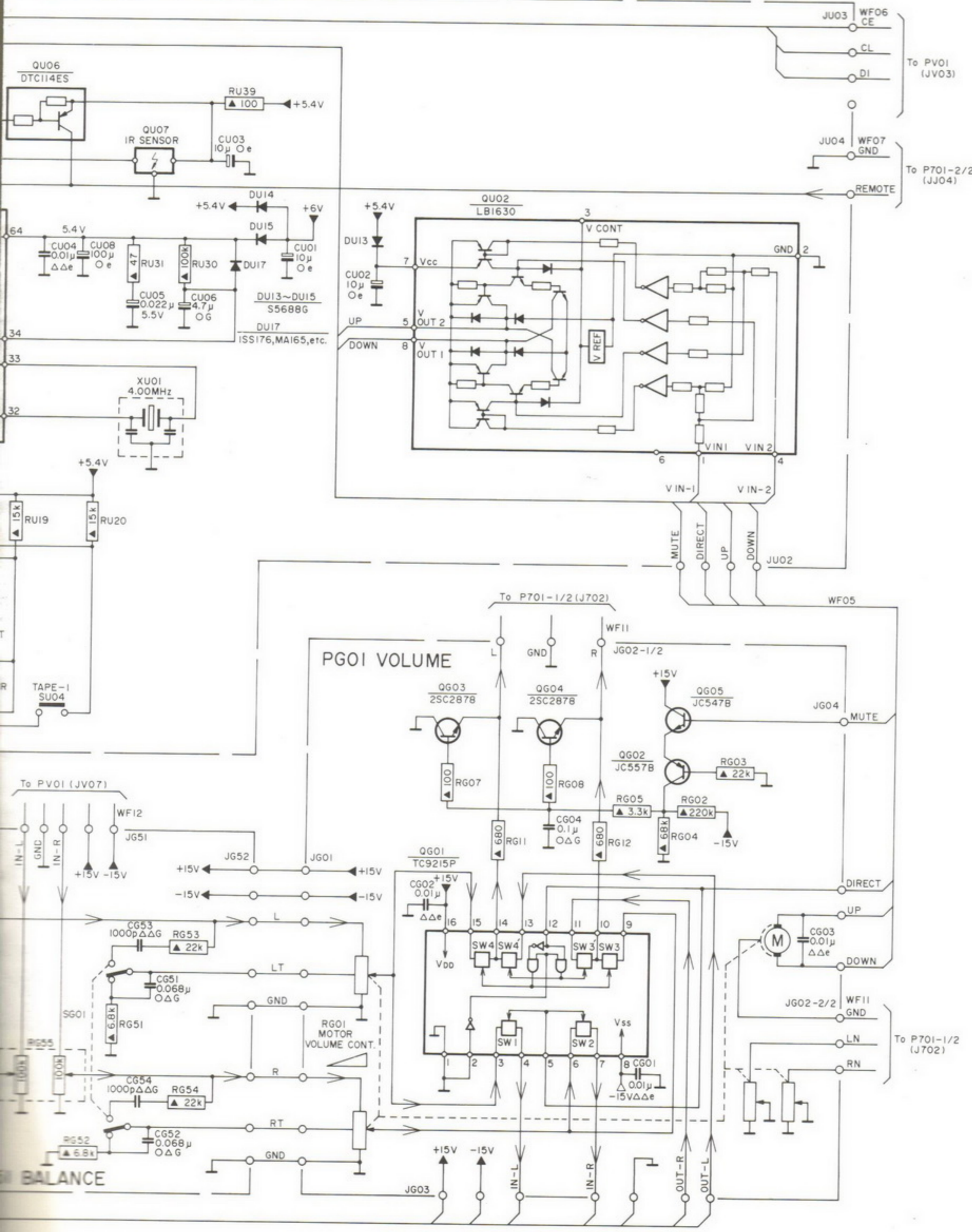


R	RU01~RU09	RU43	RU27~RU29	RU26 RU24 RU23	RU22 RU21	RU42 RU37	UU33
C	RE01~RE08	RE21 RE09~RE12 RE22	RE13~RE16	RE17~RE20			
Q	QU01	CE01	CE11~CE14 CE15~CE18	CU09 CU07	CE19 CE23	CE20 CE24	
D	DU01~DU09			QU04 QU03	QE02	QE03	
S-X	SE01			DU10	DU16 DU11 DU12		SU08 SU05 SU01 SU02 SU06 SU0



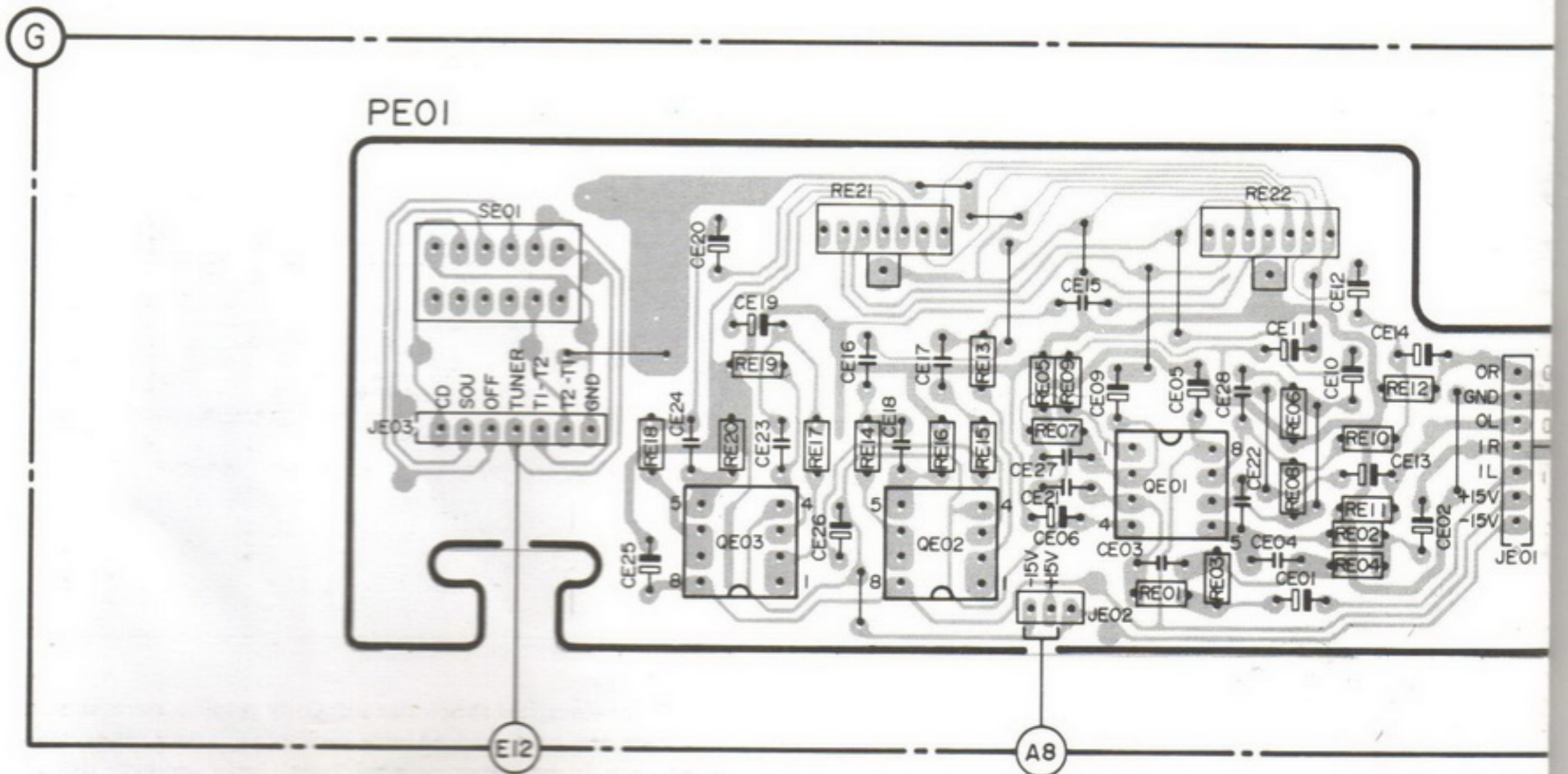
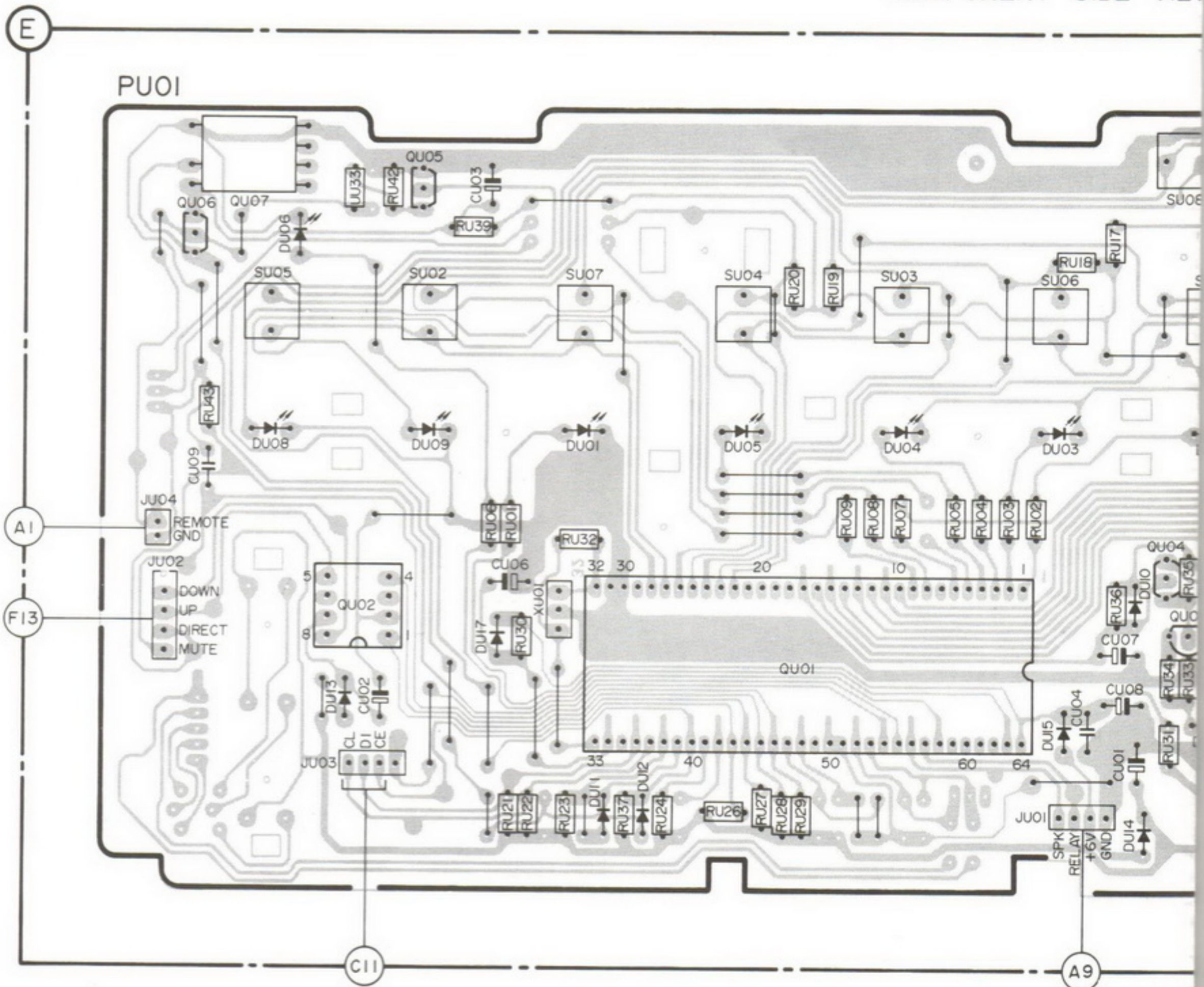
DIAGRAM

	RU31	RU30	RU39														R	
	RG55	RG51~RG54					RG01	RG07	RG11	RG08	RG12	RG05	RG04	RG02	RG03			C
	CU04	CU08	CU05	CU06	CU03	CU01	CU02											
	CG51~CG54						CG02		CG04		CG01				CG03		C	
	QU06	QU07					QU02									Q		
	DUI7 DUI4 DUI5					DUI3	QG01	QG03	QG04	QG02	QG05						Q	
SU03	SU04	SG01	XU01														D	
																	S-X	



R	RU43	UU33 RU42	RU39 RU06 RU01 RU30 RU32	RU20 RU19 RU09 RU08 RU07 RU05 RU04 RU03 RU02 RU18 RU17
			RU21~RU24 RU37	RU26~RU29 RE22 RU36 RU31 RU34
C	CU09	CU02	CU03 CU06	CU04 CU07 CU08 CU05
Q	QU06 QU07	QU02 QU05	QE03	QE02 QU01 QE01 QU04
D	DU08 DU06 DU13	DU09 DU17	DU01 DU11 DU12	DU05 DU04 DU03 DU15 DU10 DU14
S-X	SU05	SE01 SU02	XU01 SU07	SU04 SU03 SU06 SU08

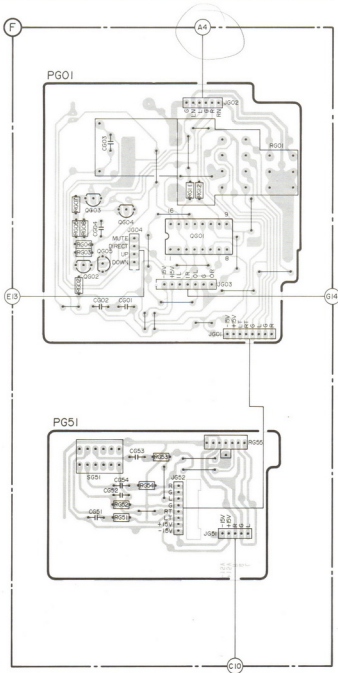
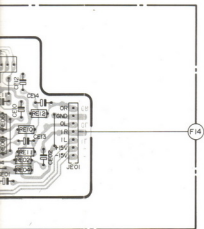
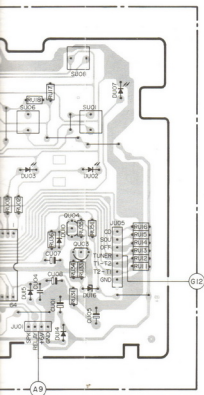
COMPONENT SIDE VIEW

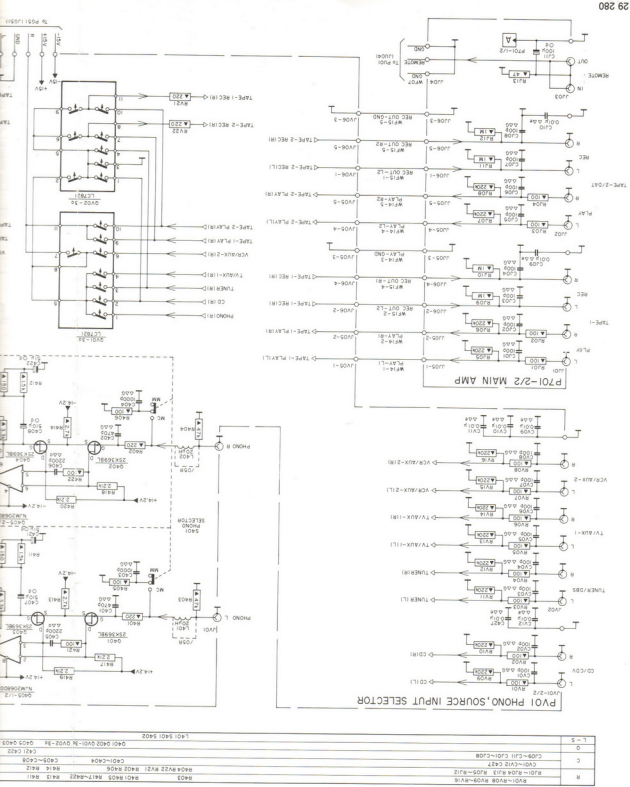


## WIRING DIAGRAM

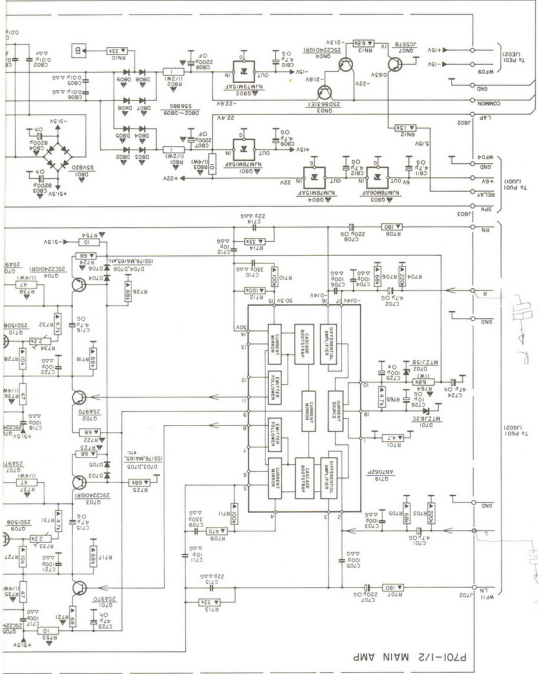
RU05 RU04 RU03 RU02 RUB RIJ7	RG07 RG08	RG11 RG12	RG01	R
RU36 RU31 RU24 RU33 RU35 RU5 RIJ1 ~ RIJ6	RG02 ~ RG05			
RE06 RE02 RE04 RE10 ~ RE12		RG52 RG51 RG54 RG53	RG55	C
CU04 CU07 CU08 CU01 CU05		CG04 CG02 CG03 CG01		
CE03 CE05 CE28 CE22 CE04 CE01 CE10 ~ CE14 CE02		CG51 CG52 CG54 CG53		Q
QU04 QU03		QG02 ~ QG05	QG01	
DU03 DU15 DU10 DU14 DU16 DU02 DU07				S-X
SU06	SU08 SU01		SG01	

FRONT SIDE VIEW





SCHEMATIC DIAGRAM



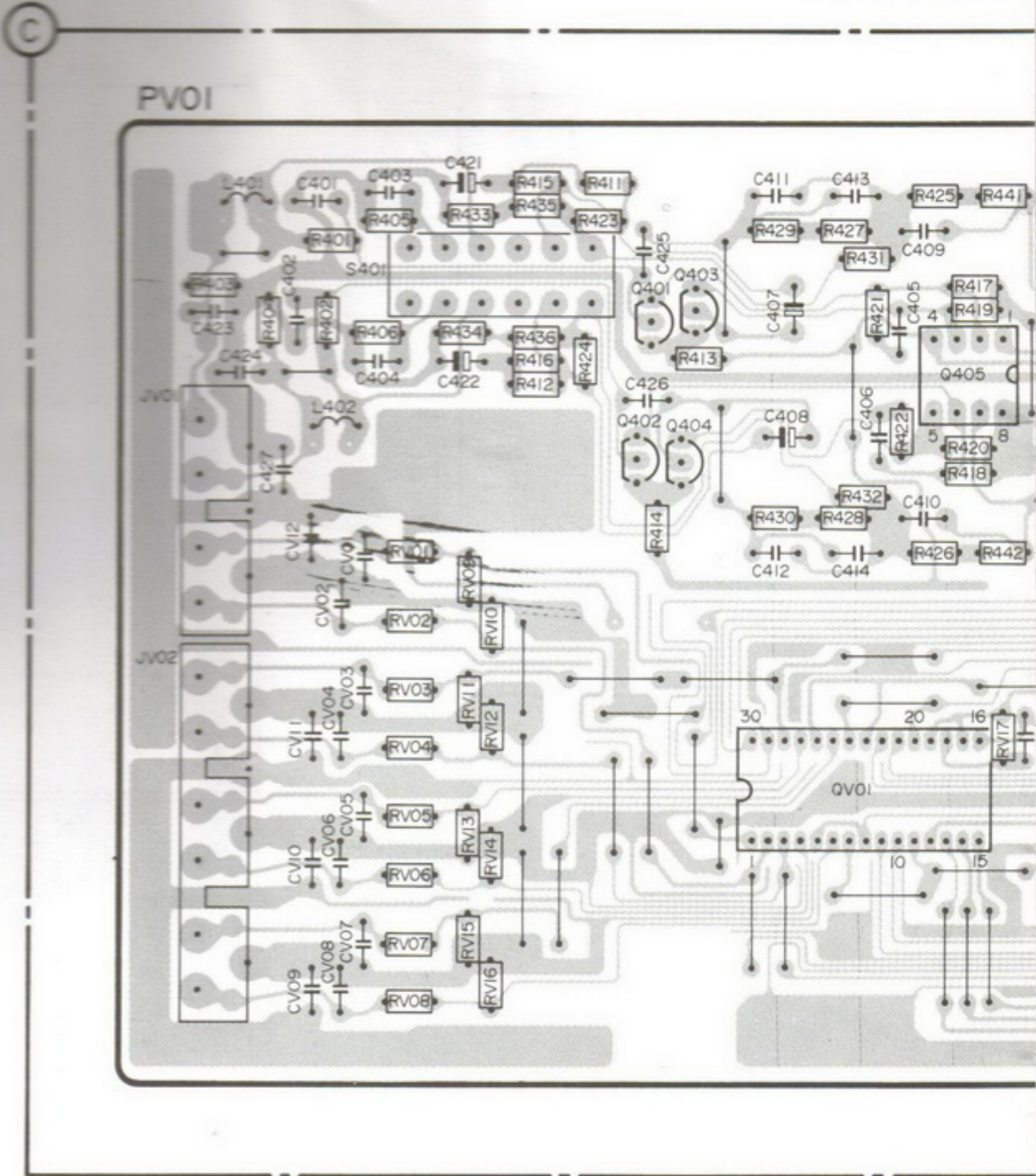
P701-1/2 MAIN AMP

5-V	R703-R708	R725	R711	R709	R713	R717	R712	R714	R705	R716	R715	R718	R719	R720	R721	R722	R723	R724	R725	R726	R727	R728	
F-L	R704	R705	R706	R707	R708	R709	R710	R711	R712	R713	R714	R715	R716	R717	R718	R719	R720	R721	R722	R723	R724	R725	
D	D701	D702	D703	D704	D705	D706	D707	D708	D709	D710	D711	D712	D713	D714	D715	D716	D717	D718	D719	D720	D721	D722	
0	0701	0702	0703	0704	0705	0706	0707	0708	0709	0710	0711	0712	0713	0714	0715	0716	0717	0718	0719	0720	0721	0722	
C	C701-C708	C709-C716	C717-C724	C725-C732	C733-C740	C741-C748	C749-C756	C757-C764	C765-C772	C773-C780	C781-C788	C789-C796	C797-C804	C805-C812	C813-C820	C821-C828	C829-C836	C837-C844	C845-C852	C853-C860	C861-C868	C869-C876	C877-C884
R	R701	R702	R703	R704	R705	R706	R707	R708	R709	R710	R711	R712	R713	R714	R715	R716	R717	R718	R719	R720	R721	R722	



R	R403	R401	R405	R433~R436	R415	R423	R411	R414	R413	R429	R427	R431	R421	R425	R417
	R404	R402	R406	RV01~RV16	R416	R412	R424			R430	R428	R432	R422	R426	R420
C	C423	C424	C401~C404	C421			C425		C411	C407	C413	C405	C409		
	C427	CV01~CV12		C422			C426		C412	C408	C414	C406	C410		
Q							Q401~Q404			QV01			Q405		
L-S	L401	L402	S401												

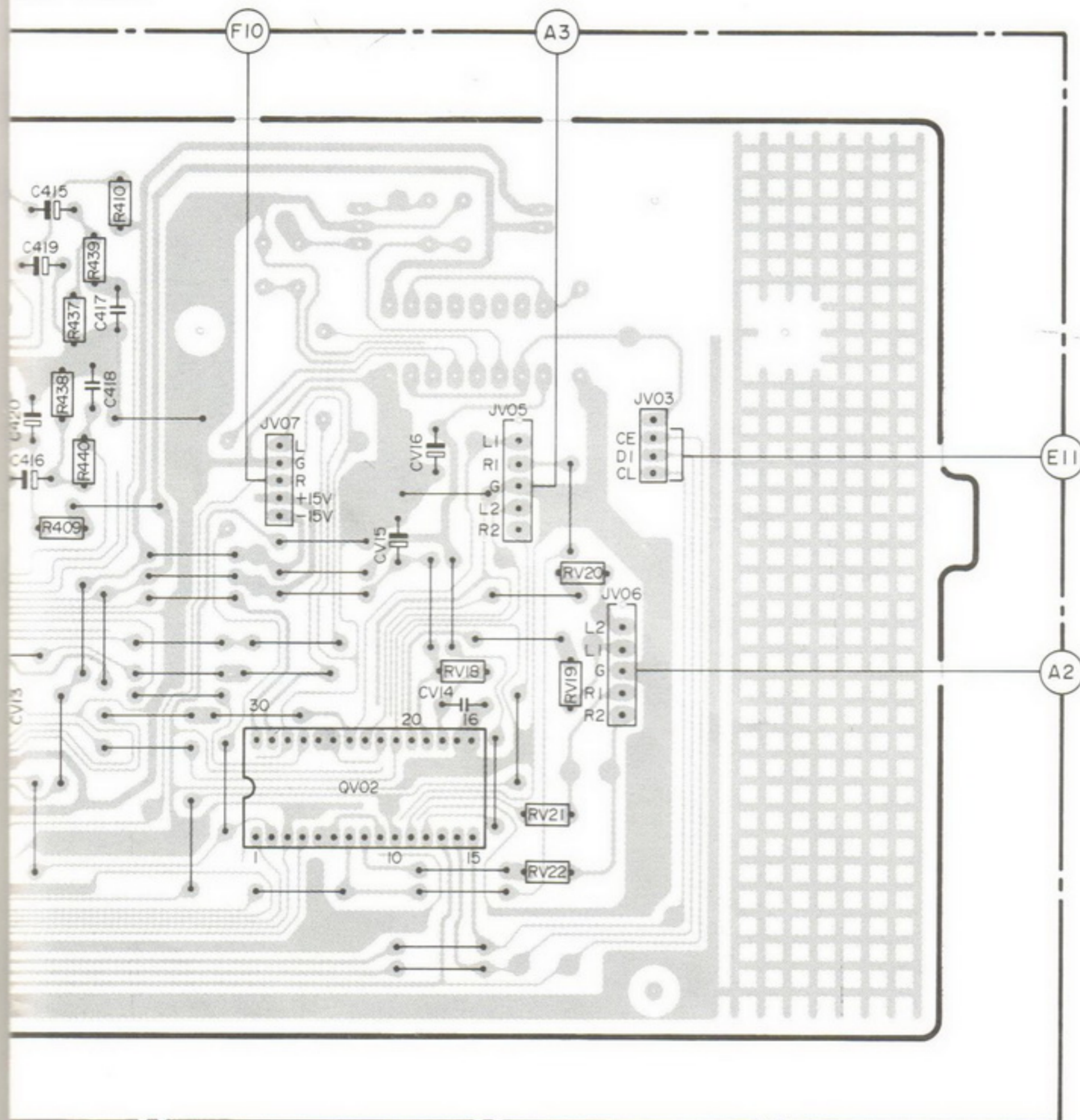
COMPONENT S

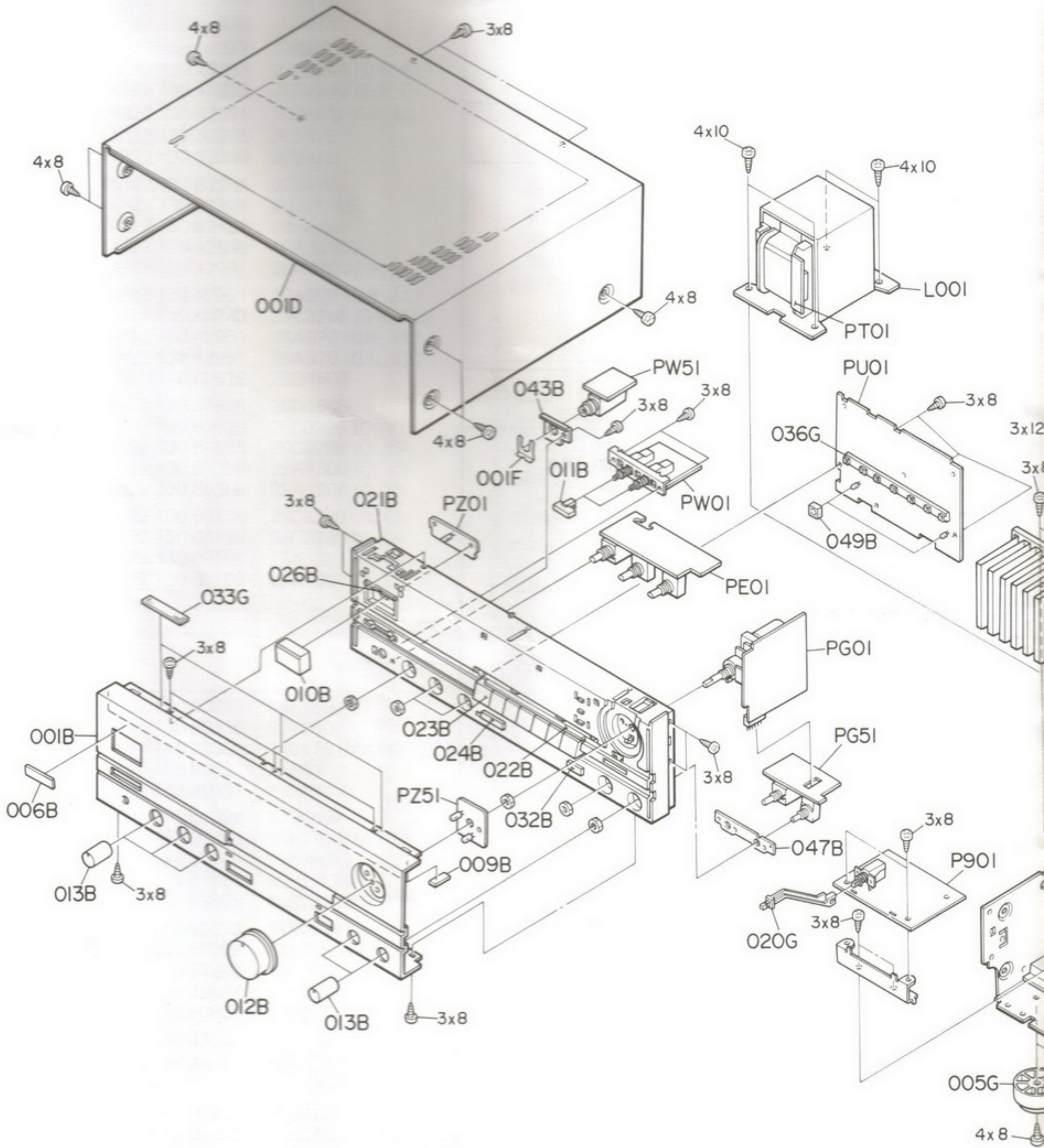


NG DIAGRAM

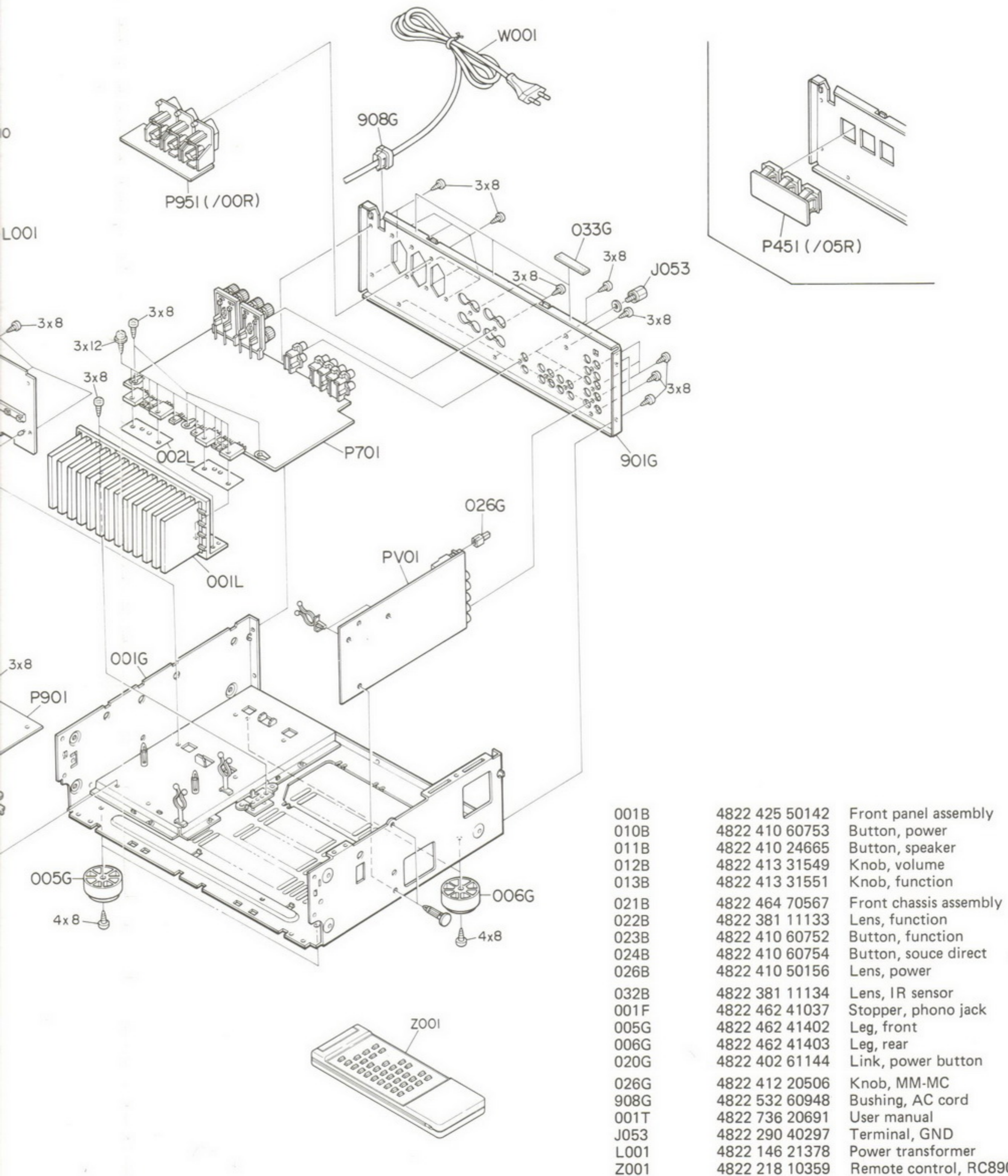
R419 R441 R437~ R440 R410		R
R418 R442 RV17 R409	RV18~RV22	
C415~C420		C
VI3	CVI5 CVI6 CVI4	Q
	QV02	L-S

IDE VIEW





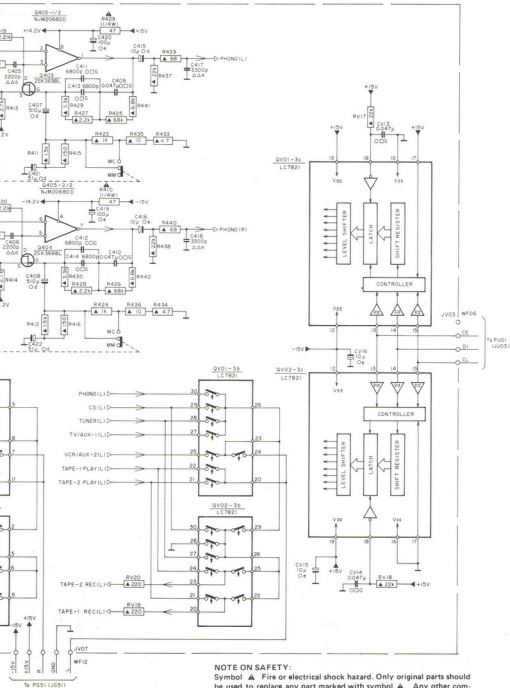
EXPLODED VIEW



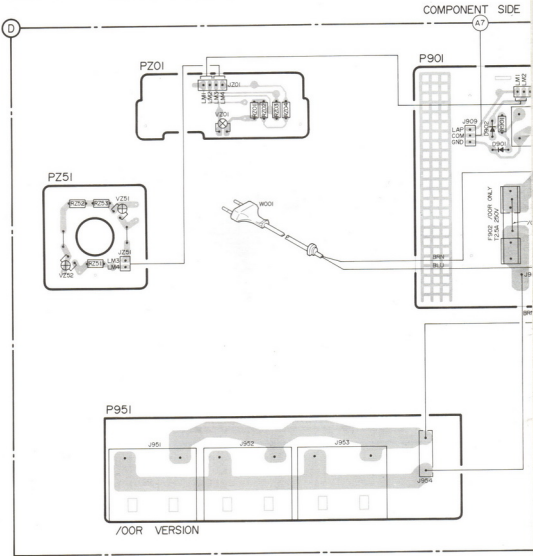
001B	4822 425 50142	Front panel assembly
010B	4822 410 60753	Button, power
011B	4822 410 24665	Button, speaker
012B	4822 413 31549	Knob, volume
013B	4822 413 31551	Knob, function
021B	4822 464 70567	Front chassis assembly
022B	4822 381 11133	Lens, function
023B	4822 410 60752	Button, function
024B	4822 410 60754	Button, souce direct
026B	4822 410 50156	Lens, power
032B	4822 381 11134	Lens, IR sensor
001F	4822 462 41037	Stopper, phono jack
005G	4822 462 41402	Leg, front
006G	4822 462 41403	Leg, rear
020G	4822 402 61144	Link, power button
026G	4822 412 20506	Knob, MM-MC
908G	4822 532 60948	Bushing, AC cord
001T	4822 736 20691	User manual
J053	4822 290 40297	Terminal, GND
L001	4822 146 21378	Power transformer
Z001	4822 218 10359	Remote control, RC890

GRAM

R413	R411	R415	R423-R430	R409	R433-R442	RV17	
R414	R412	R416	R410	RV20 RV19		RV16	R
C405-C408	C409-C414	C415-C418				CV16	CV13
C421	C422	C420	C419			CV15	CV14
QV02-3a	Q405	Q403	Q404	QV01-3b	QV02-3a	QV01-3c	QV02-3c
							L-3



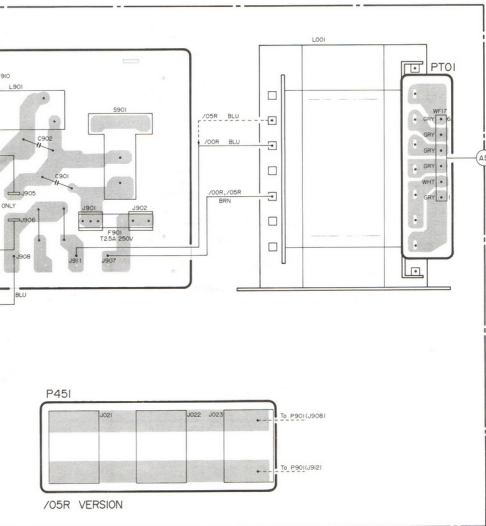
R	RZ5~RZ53	RZ01~RZ04	R901
C			D902 D901
D			F902
F-L-S-V	VZ52	VZ51	VZ01



GRAM

			R
	C902 C901		C
			D
L901	F901 S901	L001	F-L-S-V



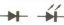
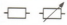

VIEW



P451



/O5R VERSION

					
QG02	4822 130 62386	JC557B	Q802	4822 209 61526	NJM79M15A
QG03	4822 130 43819	2SC2878	Q803	4822 209 62423	NJM78M06A
QG04	4822 130 43819	2SC2878	Q804	4822 209 82829	NJM78M15A
QG05	4822 130 62295	JC547B			
QN02	4822 130 62386	JC557B			
QN03	4822 130 43377	2SD863(E)			
QN04	4822 130 43233	2SC2240 (GR, BL)			
QN21+QN22	4822 130 43233	2SC2240 (GR, BL)			
QN23	4822 130 42951	2SA970 (GR, BL)			
QU03	4822 130 62295	JC547B			
QU04	4822 130 62295	JC547B			
QU05	4822 130 62295	JC547B			
QU06	4822 130 61227	DTA114ES			
QU07	4822 130 82139	IR sensor			
Q401+Q404	4822 130 42839	2SK369(BL)			
Q701	4822 130 42951	2SA970 (GR, BL)			
Q702	4822 130 42951	2SA970 (GR, BL)			
Q703+Q706	4822 130 43233	2SC2240 (GR, BL)			
Q707	4822 130 42951	2SA970 (GR, BL)			
Q708	4822 130 42951	2SA970 (GR, BL)			
Q709	4822 130 60526	2SD1508			
Q710	4822 130 60526	2SD1508			
Q711	4822 130 60525	2SC3298 (O, Y)			
Q712	4822 130 60525	2SC3298 (O, Y)			
Q713	4822 130 61358	2SA1306 (O, Y)			
Q714	4822 130 61358	2SA1306 (O, Y)			
Q715	4822 130 60116	2SC3280 (R, O)			
Q716	4822 130 60116	2SC3280 (R, O)			
Q717	4822 130 60109	2SA1301 (R, O)			
Q718	4822 130 60109	2SA1301 (R, O)			
					
DN01	4822 130 80839	S5688G	RE21	4822 100 30136	Potm. bass 20k(W)
DN02	4822 130 80839	S5688G	RE22	4822 100 30136	Potm. treble 20k(W)
DN03+DN05	4822 130 33305	1SS176 (MA165, 1SS254)	RG01	4822 100 30137	Potm. volume 50k/0.5k 4 gang-M
DN21	4822 130 80837	HSS81	RG55	4822 100 30135	Potm. balance 100k(MN)
DN22	4822 130 80837	HSS81	RN11	4822 113 90141	Res. fuse 220(E) 1/4W
DU01+DU09	4822 130 80326	LT3D8B	RN17	4822 113 90141	Res. fuse 220(E) 1/4W
DU10+DU12	4822 130 33305	1SS176 (MA165, 1SS254)	RW01	4822 111 50474	Res. wirewound 330(E) 1W
DU13+DU15	4822 130 80839	S5688G	RW02	4822 111 50474	Res. wirewound 330(E)1W
DU16	4822 130 31554	MTZJ4.3B	R409	4822 111 90731	Res. safety 47(E) 1/4W
DU17	4822 130 33305	1SS176 (MA165, 1SS254)	R410	4822 111 90731	Res. safety 47(E) 1/4W
D701	4822 130 80273	RD8.2JB2 (MTZJ8.2C)	R417+R420	4822 116 81354	Res. metal film 2.2k 1/6W
D702	4822 130 80322	RD15JB1 (MTZJ15B)	R721+R724	4822 050 26809	Res. metal film 68(E) 1/6W
D703+D706	4822 130 33305	1SS176 (MA165, 1SS254)	R733	4822 100 20681	Potm. trimmer 2.2k
D801	4822 130 30984	S5VB20	R734	4822 100 20681	Potm. trimmer 2.2k
D802+D809	4822 130 80839	S5688G	R735+R738	4822 111 90731	Res. safety 47(E) 1/4W
D901	4822 130 33305	1SS176 (MA165, 1SS254)	R739	4822 050 22202	Res. metal film 2.2 kΩ 1/6W
D902	4822 130 33305	1SS176 (MA165, 1SS254)	R740	4822 050 22202	Res. metal film 2.2 kΩ 1/6W
			R741+R744	4822 111 91291	Res. safety 10(E) 1/6W
QE01+QE03	4822 209 83631	NJM4558DD	R745	4822 116 60319	Res. met. oxide 220(E) 1/2W
QG01	4822 209 62784	TC9215P	R746	4822 116 60319	Res. met. oxide 220(E) 1/2W
QN01	4822 209 83312	TA7317P	R747+R750	4822 116 52348	Res. metal film 2.2(E) 1/4W
QU01	4822 209 62424	LC6554H-4342	R751	4822 116 82049	Res. metal film 0.18(E) x 2 3W
QU02	4822 209 73287	LB1630	R752	4822 116 82049	Res. metal film 0.18(E) x 2 3W
QV01	4822 209 72748	LC7821	R753	4822 111 91291	Res. safety 10(E) 1/6W
QV02	4822 209 72748	LC7821	R754	4822 111 91291	Res. safety 10(E) 1/6W
Q405	4822 209 73064	NJM2068DD	R764	4822 053 10682	Res. metal film 6.8k 1W
Q719	4822 209 83732	AN7062P	R801	4822 050 21108	Res. metal film 1(E) 1/2W
Q801	4822 209 82829	NJM78M15A	R802	4822 050 21108	Res. metal film 1(E) 1/2W
			R803	4822 115 90166	Res. fuse 10(E) 1/4W
			R901	4822 111 91291	Res. safety 10(E) 1/6W



-II-

CU05	4822 124 23295	Cap. elect 0.022 $\mu$ F 5.5V
C803	4822 124 41296	Cap. elect 8200 $\mu$ F 63V
C804	4822 124 41296	Cap. elect 8200 $\mu$ F 63V
C901	4822 122 33276	Cap. ceramic 0.01 $\mu$ F
C902	4822 122 33276	Cap. ceramic 0.01 $\mu$ F

—

o o

SE01	4822 273 80336	Rec select
SG51	4822 273 20307	Loudness
SU01+SU08	4822 276 12455	Function
SW01	4822 276 12506	Speaker select
S401	4822 276 20468	Phono select
S901	4822 276 12924	Power

## MISCELLANEOUS

F901	4822 253 40166	Fuse T2.5A 250V
F902	4822 253 40166	Fuse T2.5A 250V /00R
JJ01	4822 267 20353	Jack 4P RCA pin
JJ02	4822 267 20353	Jack 4P RCA pin
JJ03	4822 266 30274	Jack 2P RCA pin
JV01	4822 265 30587	Jack 4P RCA pin
JV02	4822 265 30836	Jack 6P RCA pin
JW51	4822 267 31017	Jack headphone
J021		Jack AC outlet /05R
J022		Jack AC outlet /05R
J023		Jack AC outlet /05R
J704	4822 266 30279	Terminal speaker
J705	4822 266 30281	Terminal speaker
J951+J953	4822 267 31194	Jack AC outlet /00R
VZ01	4822 134 40886	Lamp 75 mA 12V
VZ51	4822 134 40886	Lamp 75 mA 12V
VZ52	4822 134 40886	Lamp 75 mA 12V
XU01	4822 242 72223	Ceramic resonator 4.00 MHz